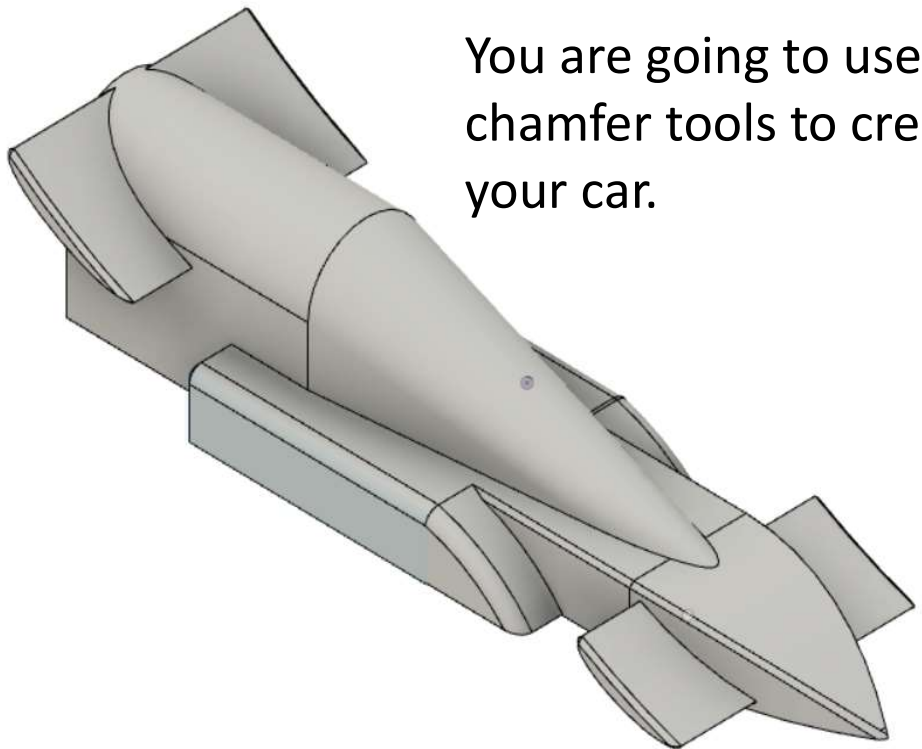
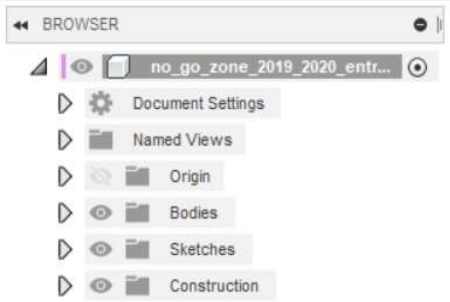
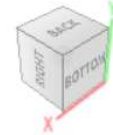


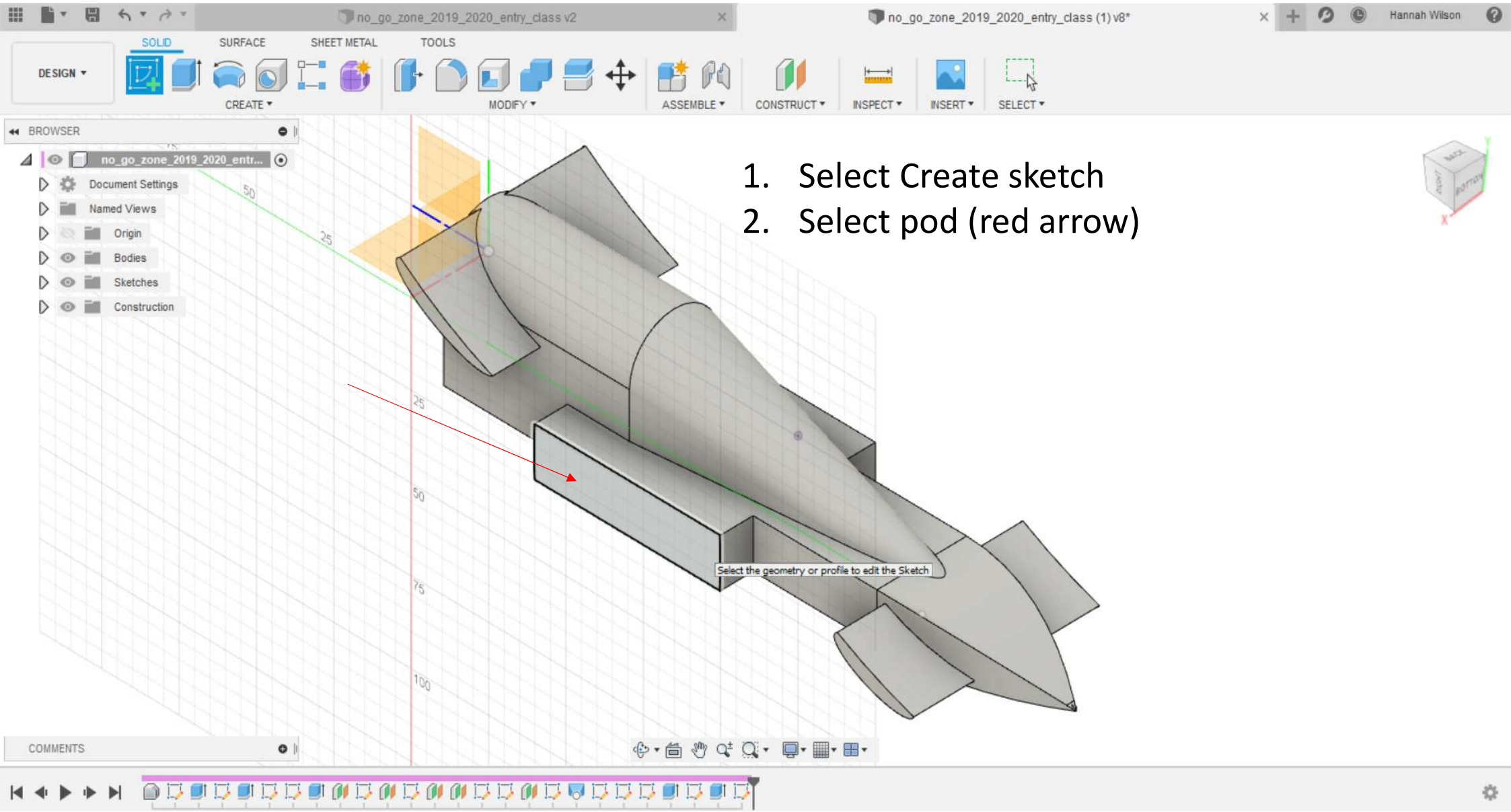
Activity 6- Fillet and Chamfer





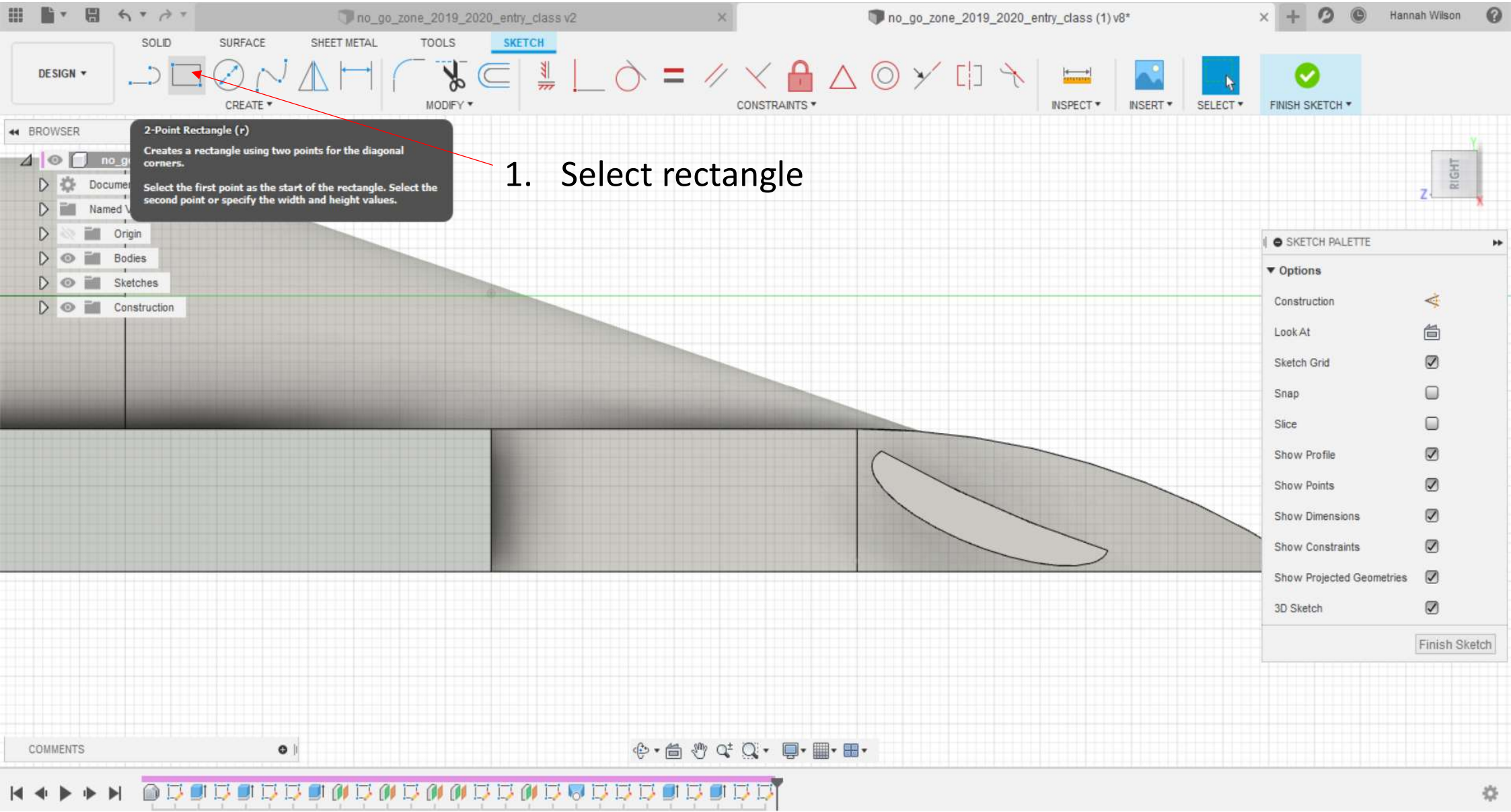
You are going to use the fillet and chamfer tools to create new edges to your car.





1. Select Create sketch
2. Select pod (red arrow)





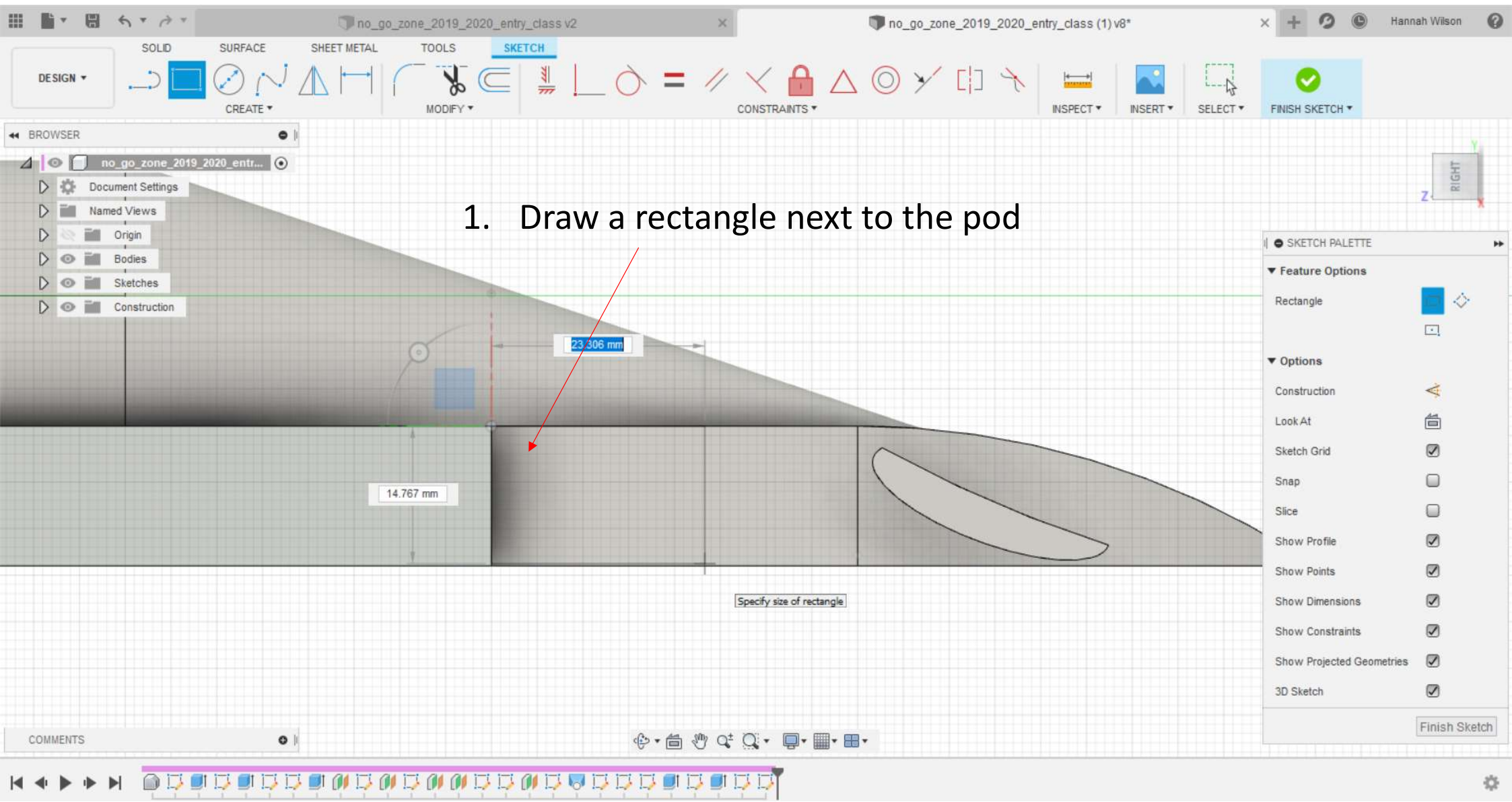
2-Point Rectangle (r)
Creates a rectangle using two points for the diagonal corners.
Select the first point as the start of the rectangle. Select the second point or specify the width and height values.

1. Select rectangle

SKETCH PALETTE

- Options
- Construction
- Look At
- Sketch Grid
- Snap
- Slice
- Show Profile
- Show Points
- Show Dimensions
- Show Constraints
- Show Projected Geometries
- 3D Sketch

Finish Sketch

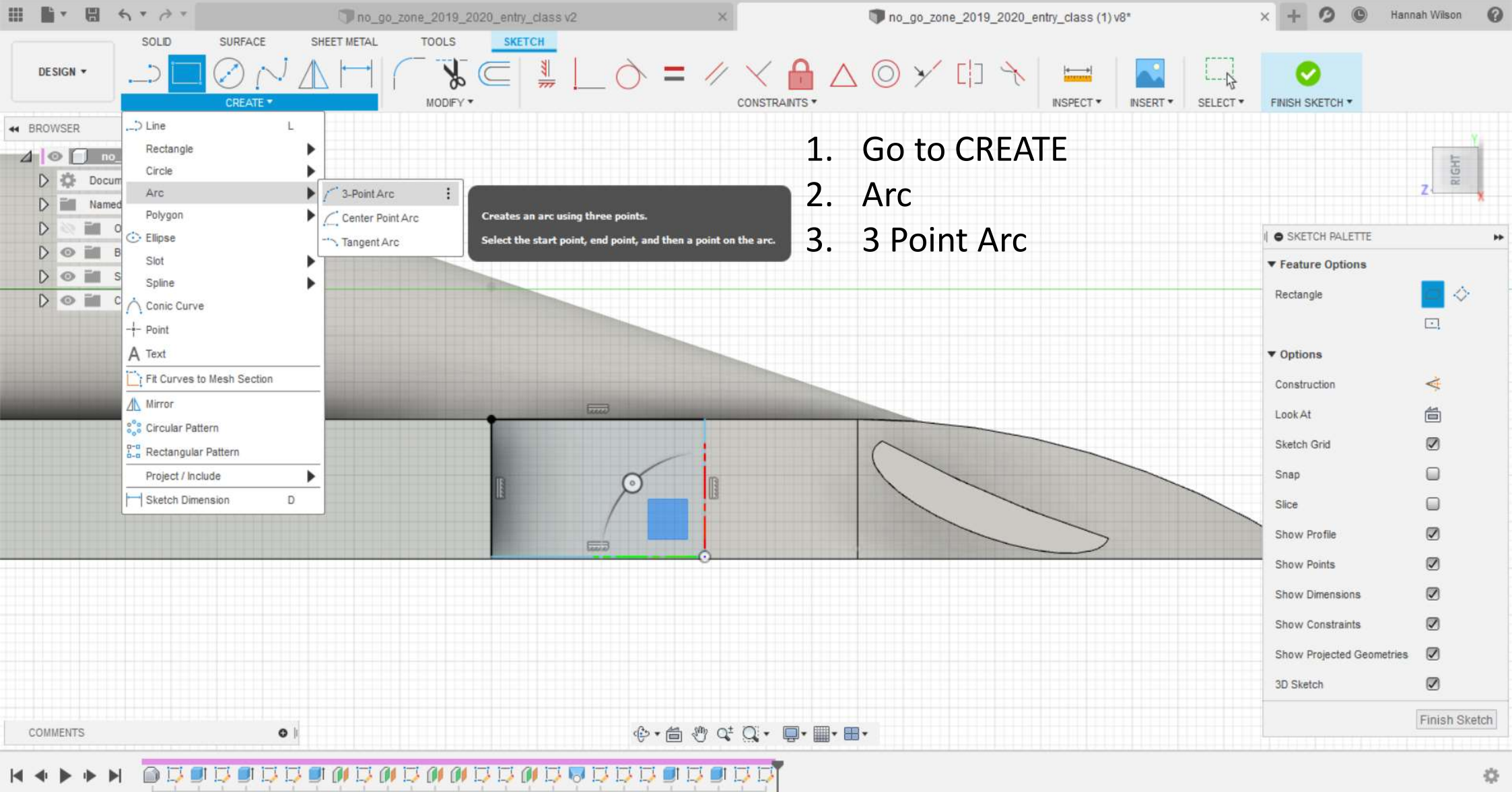


1. Draw a rectangle next to the pod

SKETCH PALETTE

- Feature Options
 - Rectangle
- Options
 - Construction
 - Look At
 - Sketch Grid
 - Snap
 - Slice
 - Show Profile
 - Show Points
 - Show Dimensions
 - Show Constraints
 - Show Projected Geometries
 - 3D Sketch

Finish Sketch



1. Go to CREATE
2. Arc
3. 3 Point Arc

Creates an arc using three points.
Select the start point, end point, and then a point on the arc.

SKETCH PALETTE

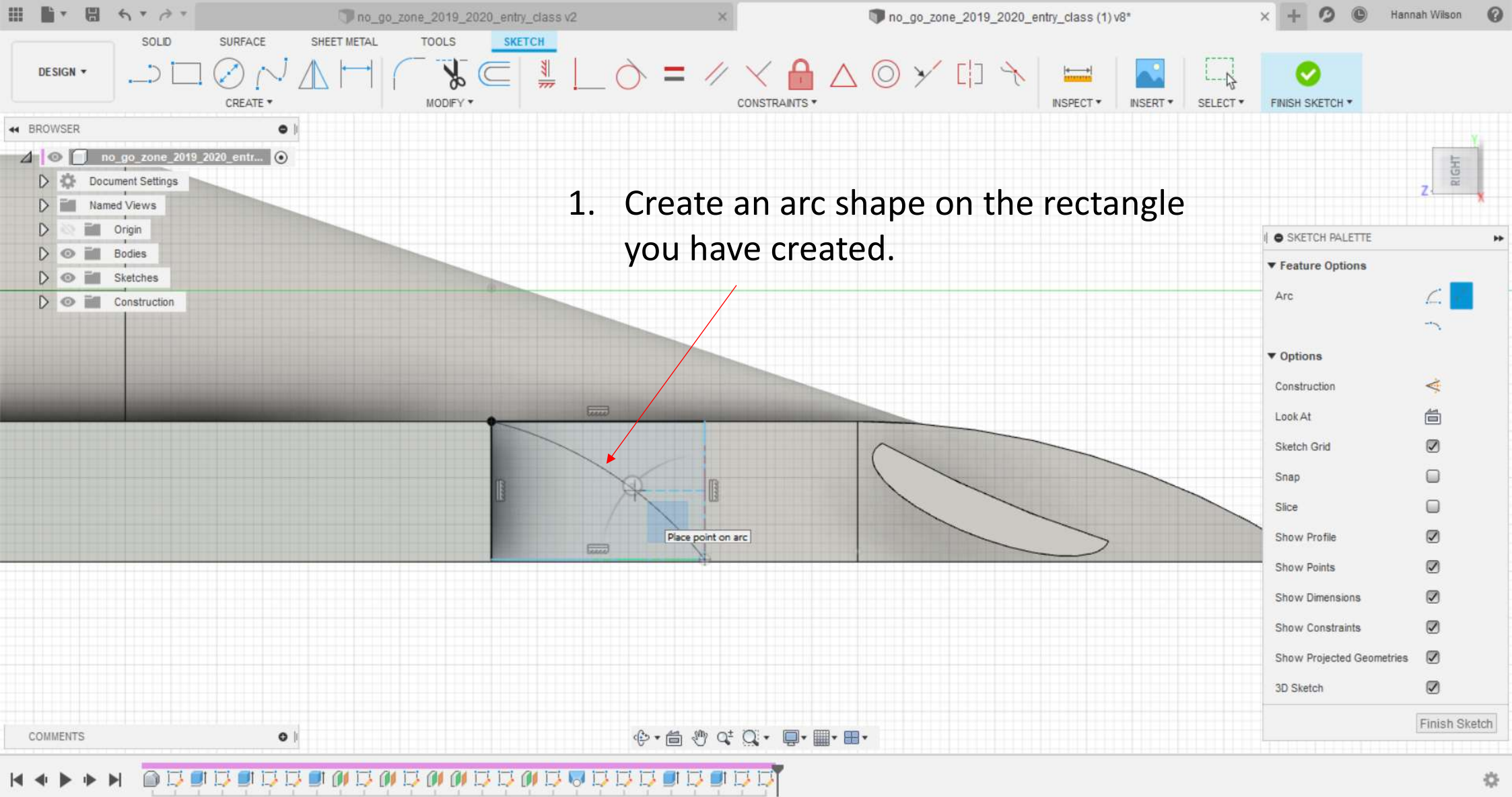
▼ Feature Options

- Rectangle

▼ Options

- Construction
- Look At
- Sketch Grid
- Snap
- Slice
- Show Profile
- Show Points
- Show Dimensions
- Show Constraints
- Show Projected Geometries
- 3D Sketch

Finish Sketch



1. Create an arc shape on the rectangle you have created.

SKETCH PALETTE

- Feature Options
 - Arc
- Options
 - Construction
 - Look At
 - Sketch Grid
 - Snap
 - Slice
 - Show Profile
 - Show Points
 - Show Dimensions
 - Show Constraints
 - Show Projected Geometries
 - 3D Sketch

Finish Sketch

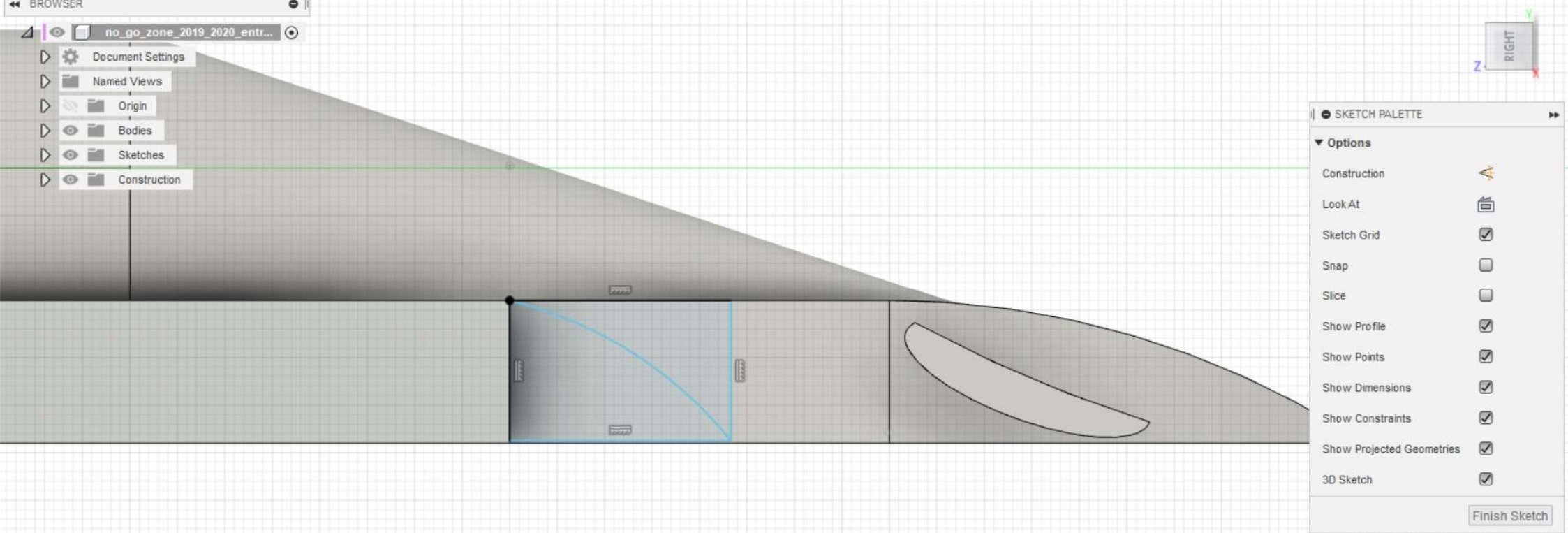
no_go_zone_2019_2020_entry_class v2 no_go_zone_2019_2020_entry_class (1) v0*

DESIGN ▾ SOLID SURFACE SHEET METAL TOOLS **SKETCH**

CREATE ▾ MODIFY ▾ CONSTRAINTS ▾ INSPECT ▾ INSERT ▾ SELECT ▾ **FINISH SKETCH ▾**

BROWSER

- no_go_zone_2019_2020_entr...
- Document Settings
- Named Views
- Origin
- Bodies
- Sketches
- Construction



SKETCH PALETTE

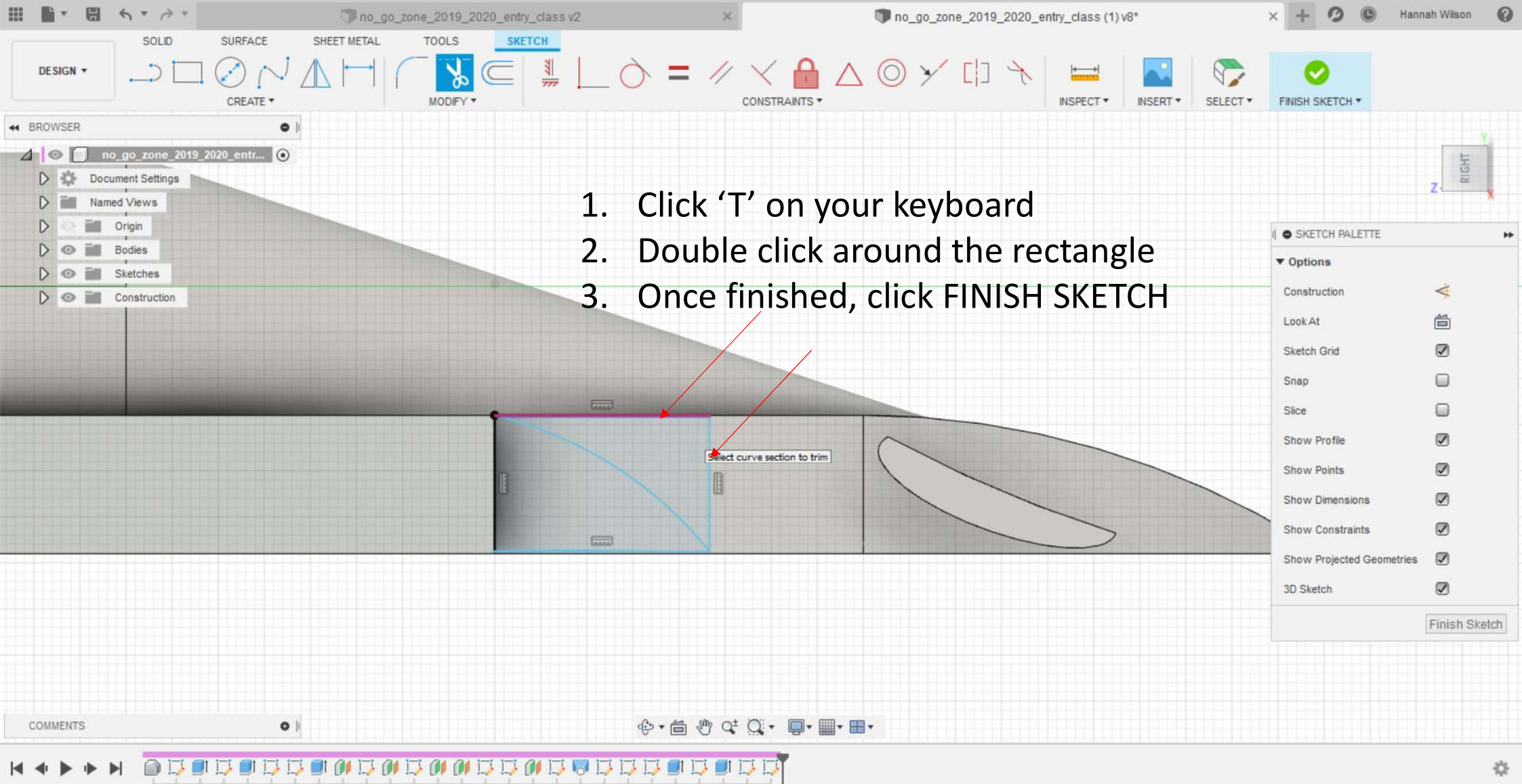
Options

- Construction
- Look At
- Sketch Grid
- Snap
- Slice
- Show Profile
- Show Points
- Show Dimensions
- Show Constraints
- Show Projected Geometries
- 3D Sketch

Finish Sketch

COMMENTS

Navigation icons: Undo, Redo, Home, Rotate, Pan, Zoom, etc.

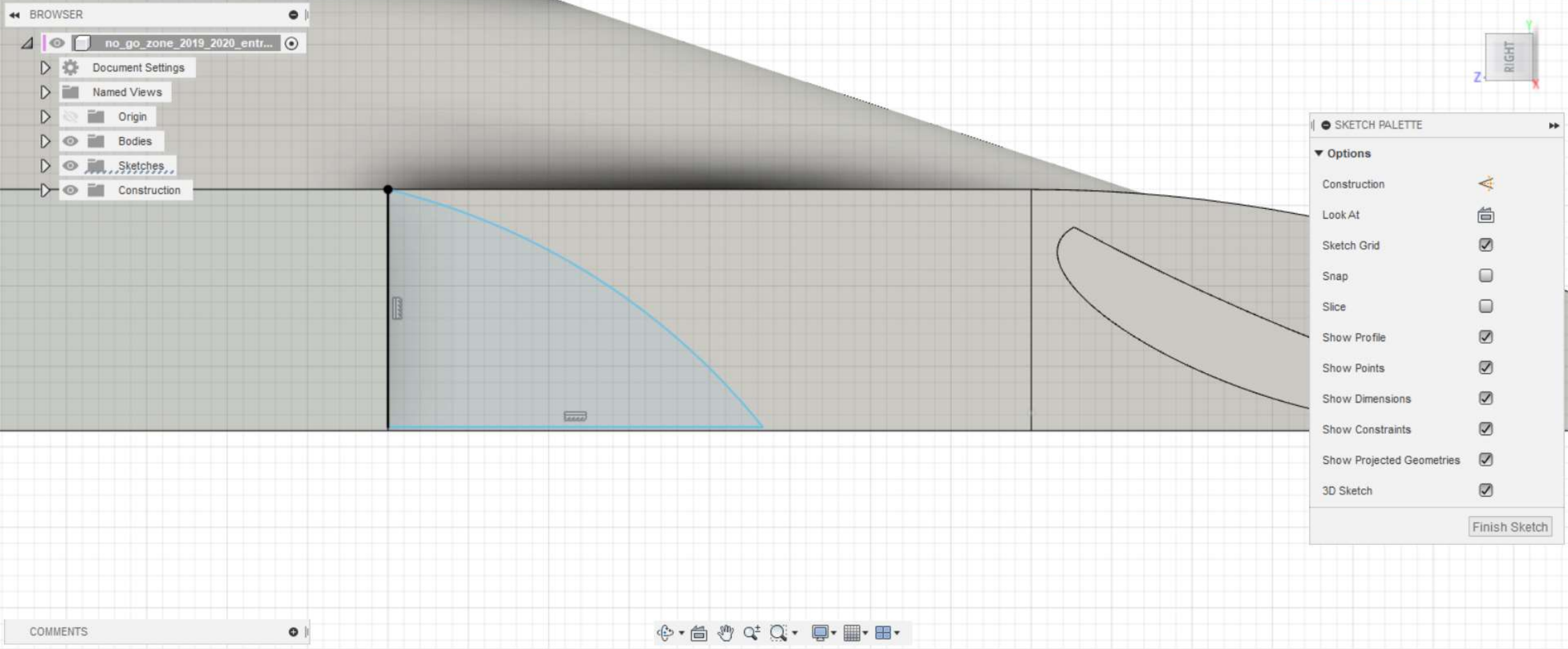


DESIGN ▾ SOLID SURFACE SHEET METAL TOOLS SKETCH

CREATE ▾ MODIFY ▾ CONSTRAINTS ▾ INSPECT ▾ INSERT ▾ SELECT ▾ FINISH SKETCH ▾

BROWSER

- no_go_zone_2019_2020_entr...
- Document Settings
- Named Views
- Origin
- Bodies
- Sketches
- Construction



SKETCH PALETTE

Options

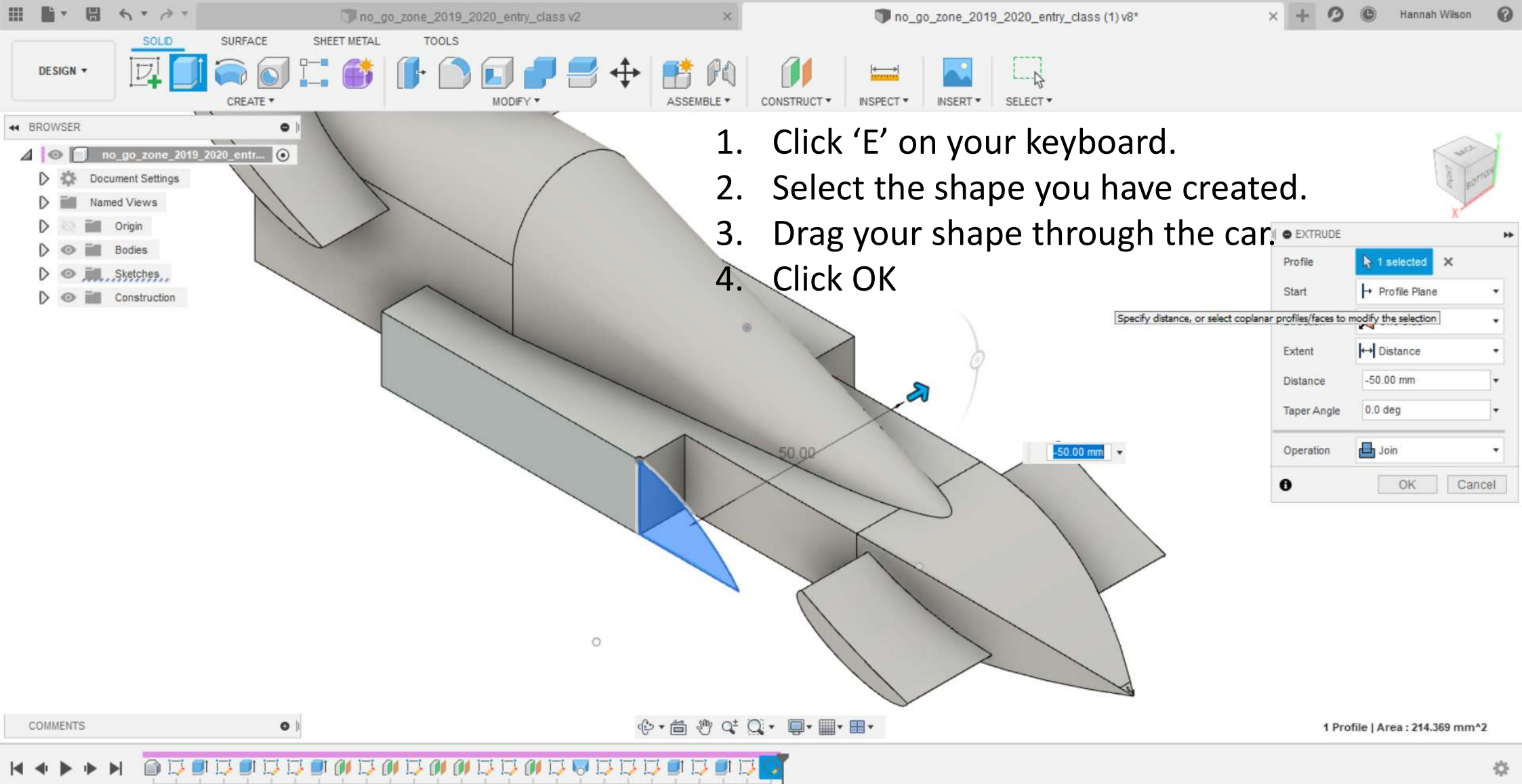
- Construction
- Look At
- Sketch Grid
- Snap
- Slice
- Show Profile
- Show Points
- Show Dimensions
- Show Constraints
- Show Projected Geometries
- 3D Sketch

Finish Sketch

COMMENTS

Navigation icons: Home, Back, Forward, Search, etc.

Timeline/History bar with various icons representing different stages or actions.

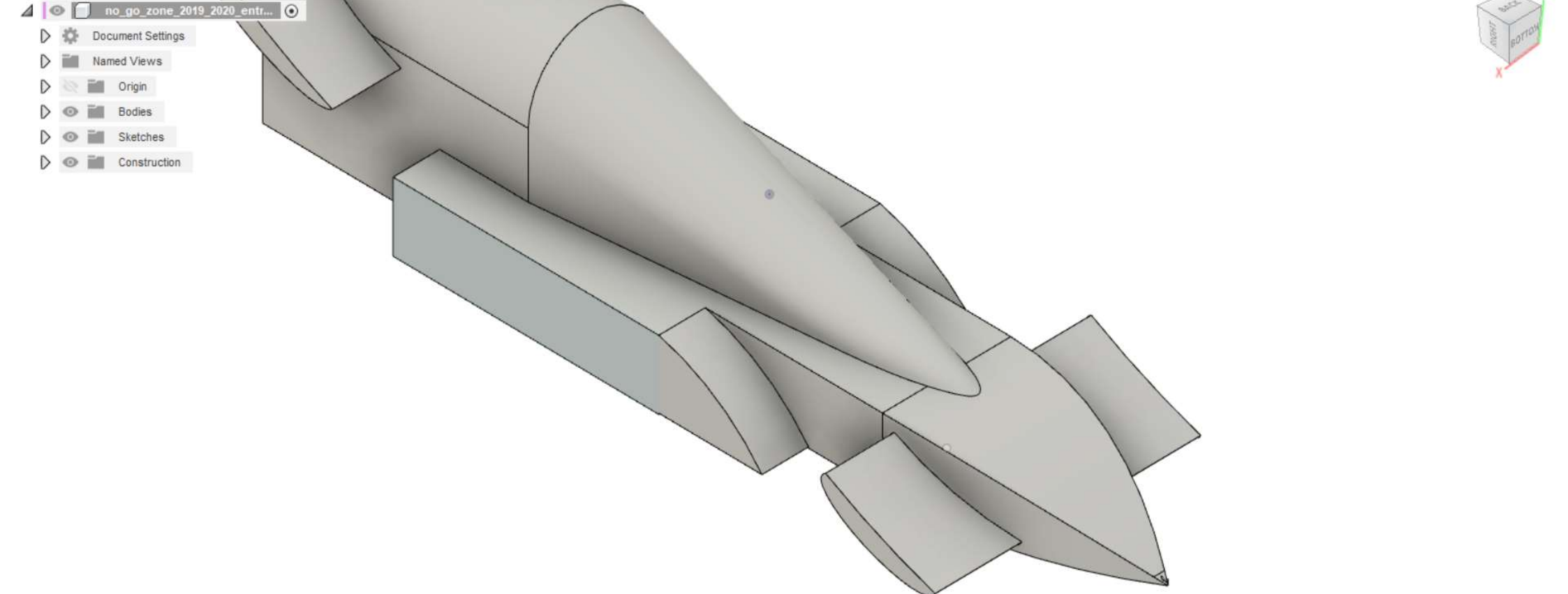


DESIGN ▾

SOLID SURFACE SHEET METAL TOOLS

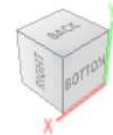
CREATE ▾ MODIFY ▾ ASSEMBLE ▾ CONSTRUCT ▾ INSPECT ▾ INSERT ▾ SELECT ▾

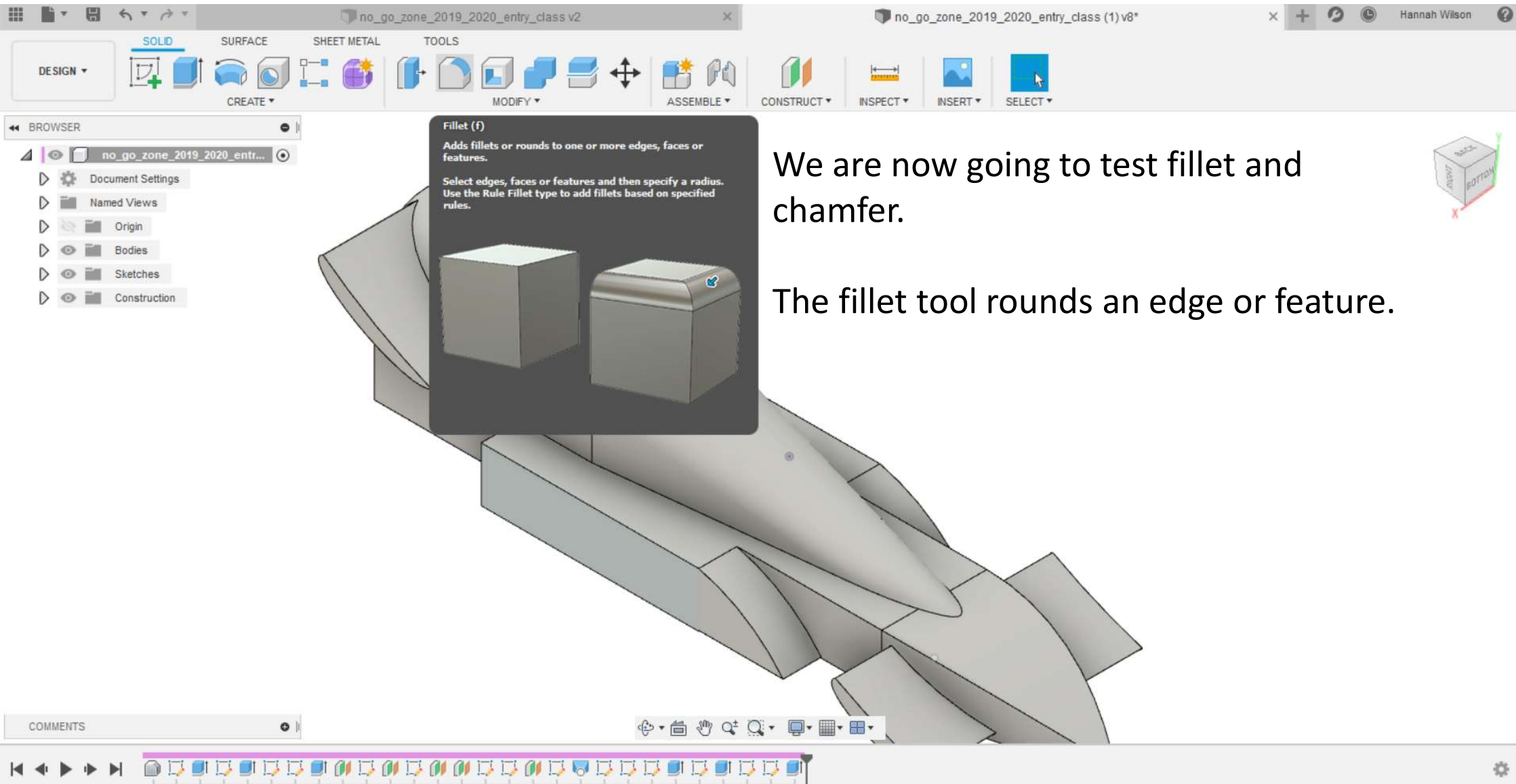
BROWSER no_go_zone_2019_2020_entr...



COMMENTS [Navigation icons]

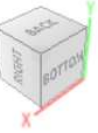
[Timeline/History bar with various icons]

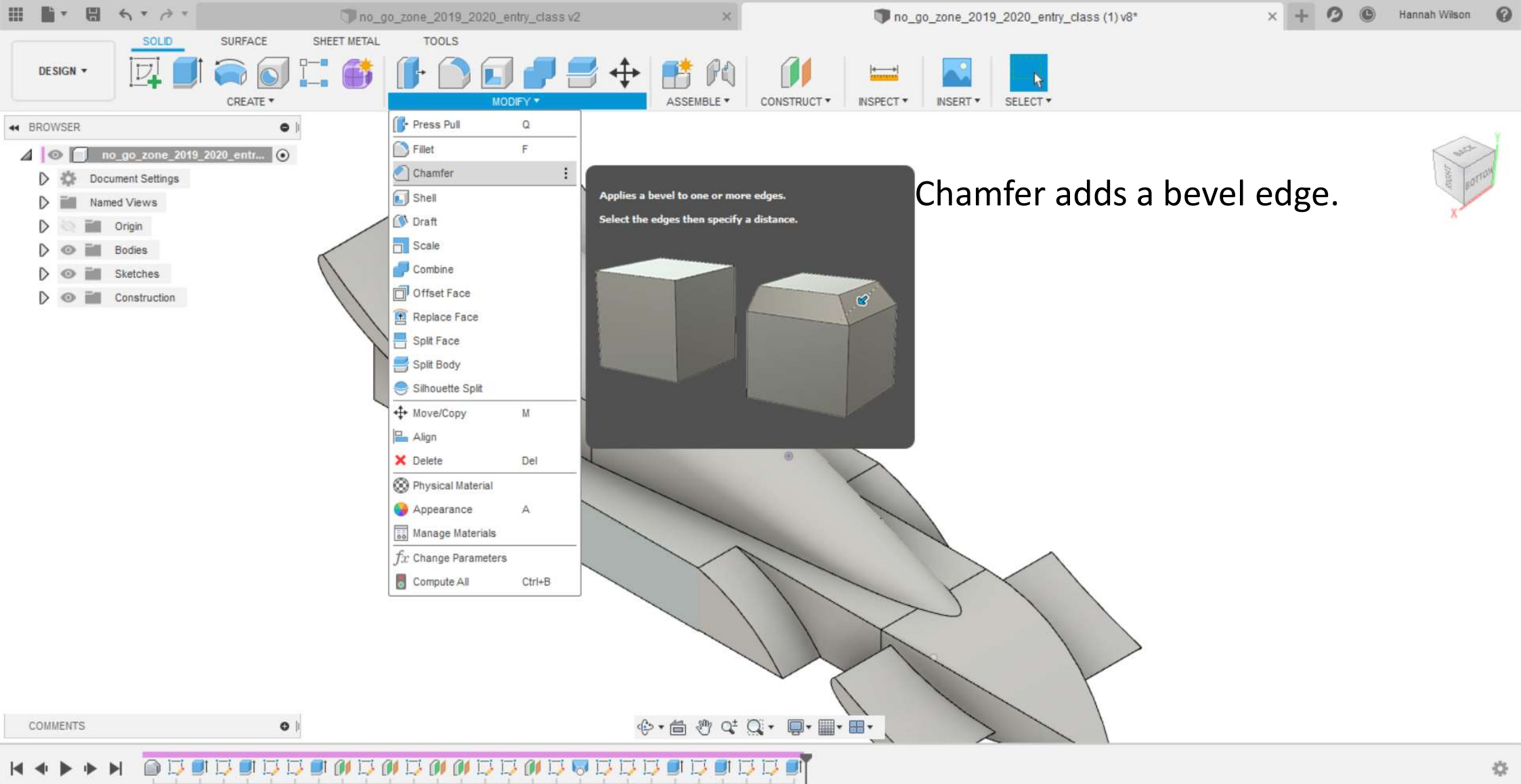




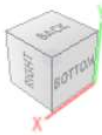
We are now going to test fillet and chamfer.

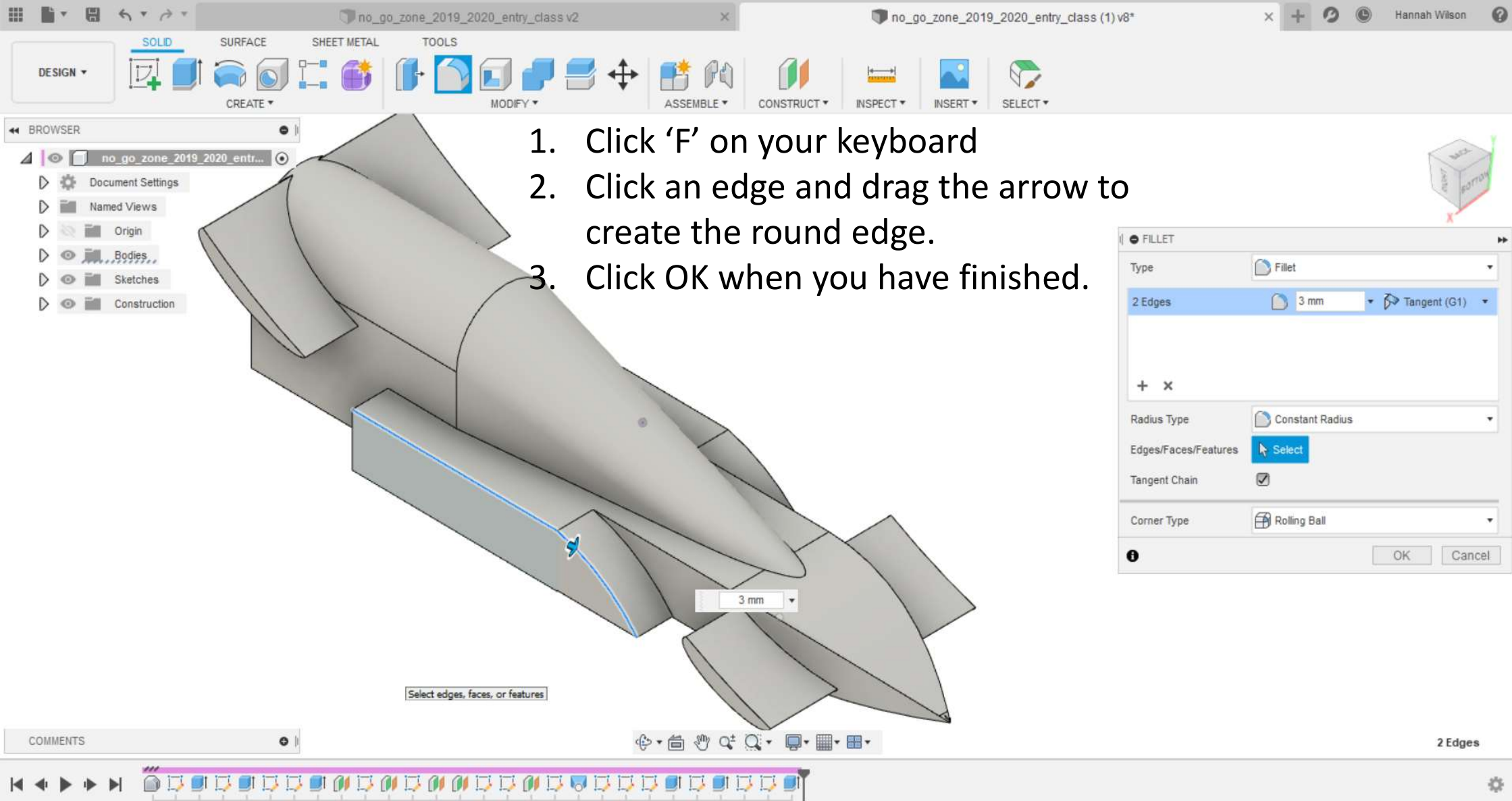
The fillet tool rounds an edge or feature.





Chamfer adds a bevel edge.





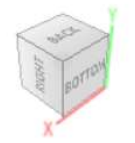
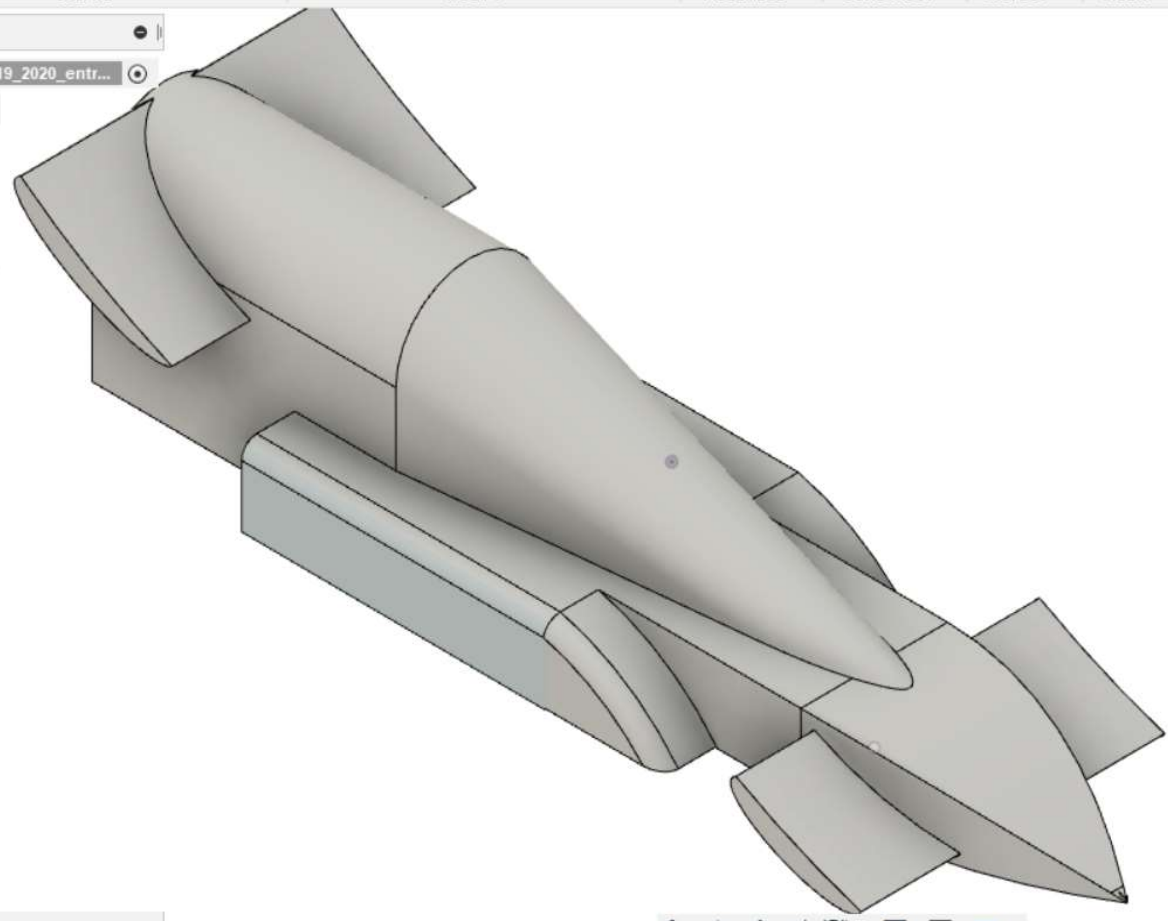
DESIGN ▾

SOLID SURFACE SHEET METAL TOOLS

CREATE ▾ MODIFY ▾ ASSEMBLE ▾ CONSTRUCT ▾ INSPECT ▾ INSERT ▾ SELECT ▾

BROWSER

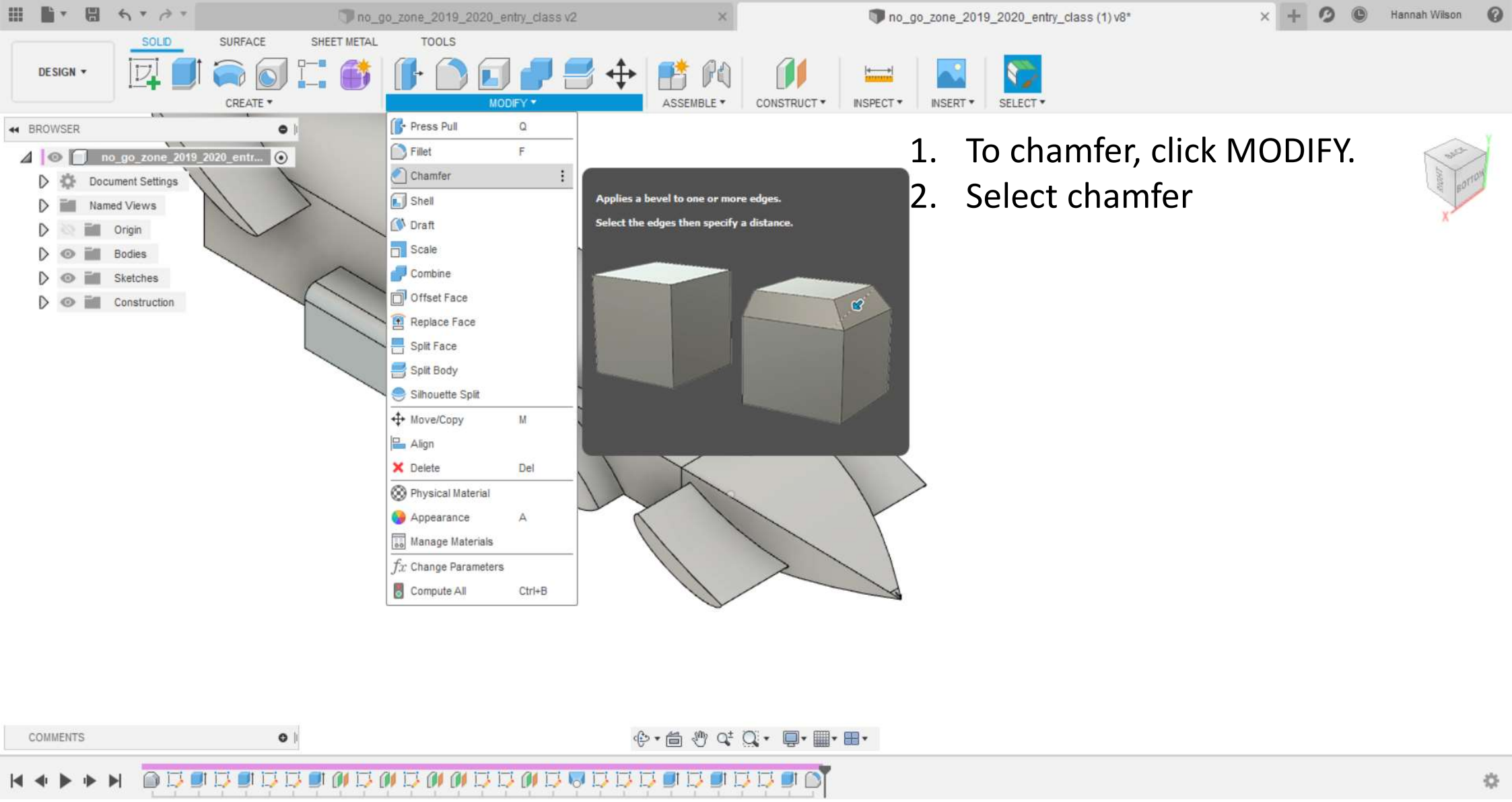
- no_go_zone_2019_2020_entr...
- Document Settings
- Named Views
- Origin
- Bodies
- Sketches
- Construction



COMMENTS

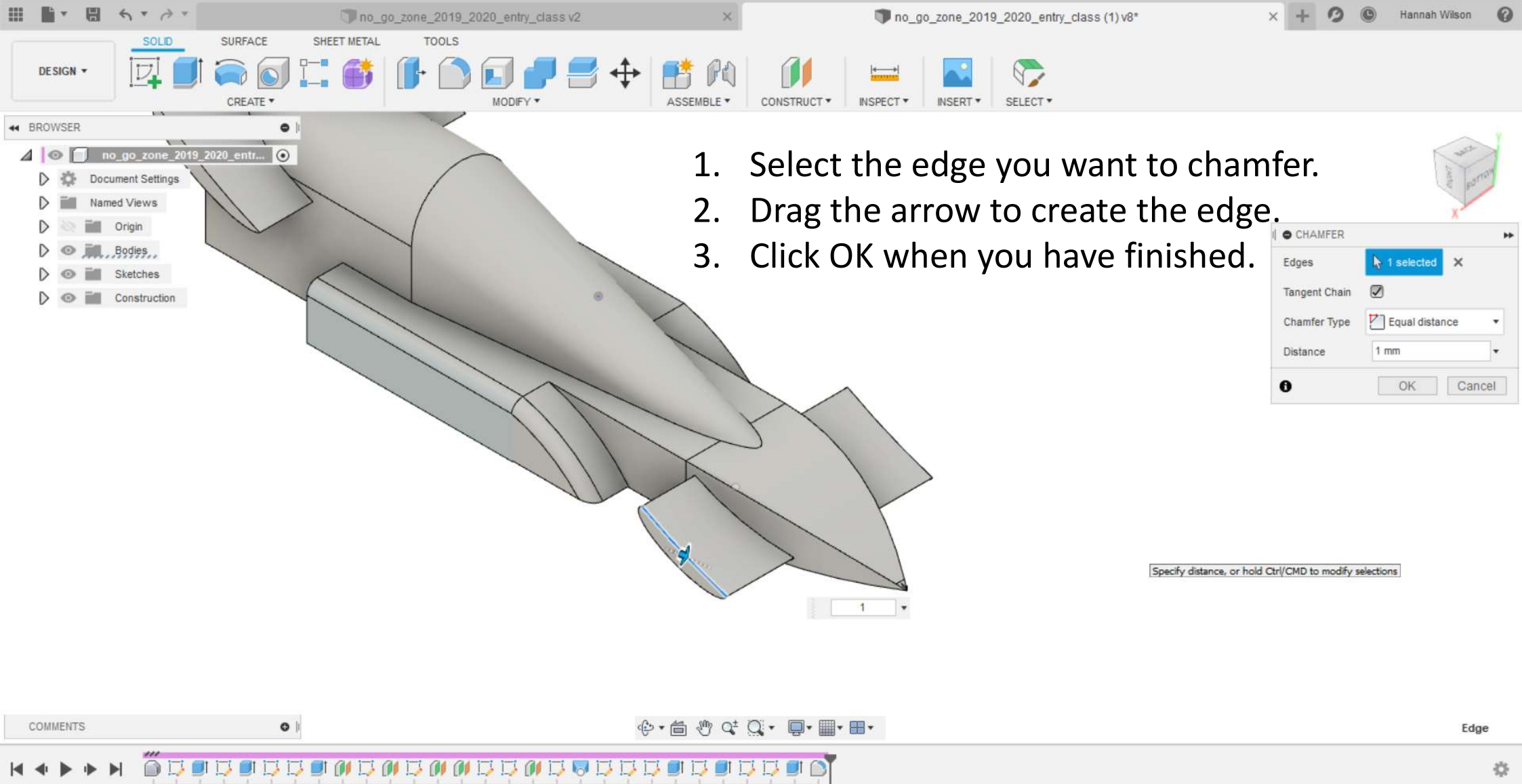
Navigation icons: Home, Hand, Rotate, Zoom, Pan, Grid, and other standard CAD navigation tools.

Timeline and view control bar with various icons for navigating through the model's history and changing view orientations.



1. To chamfer, click MODIFY.
2. Select chamfer





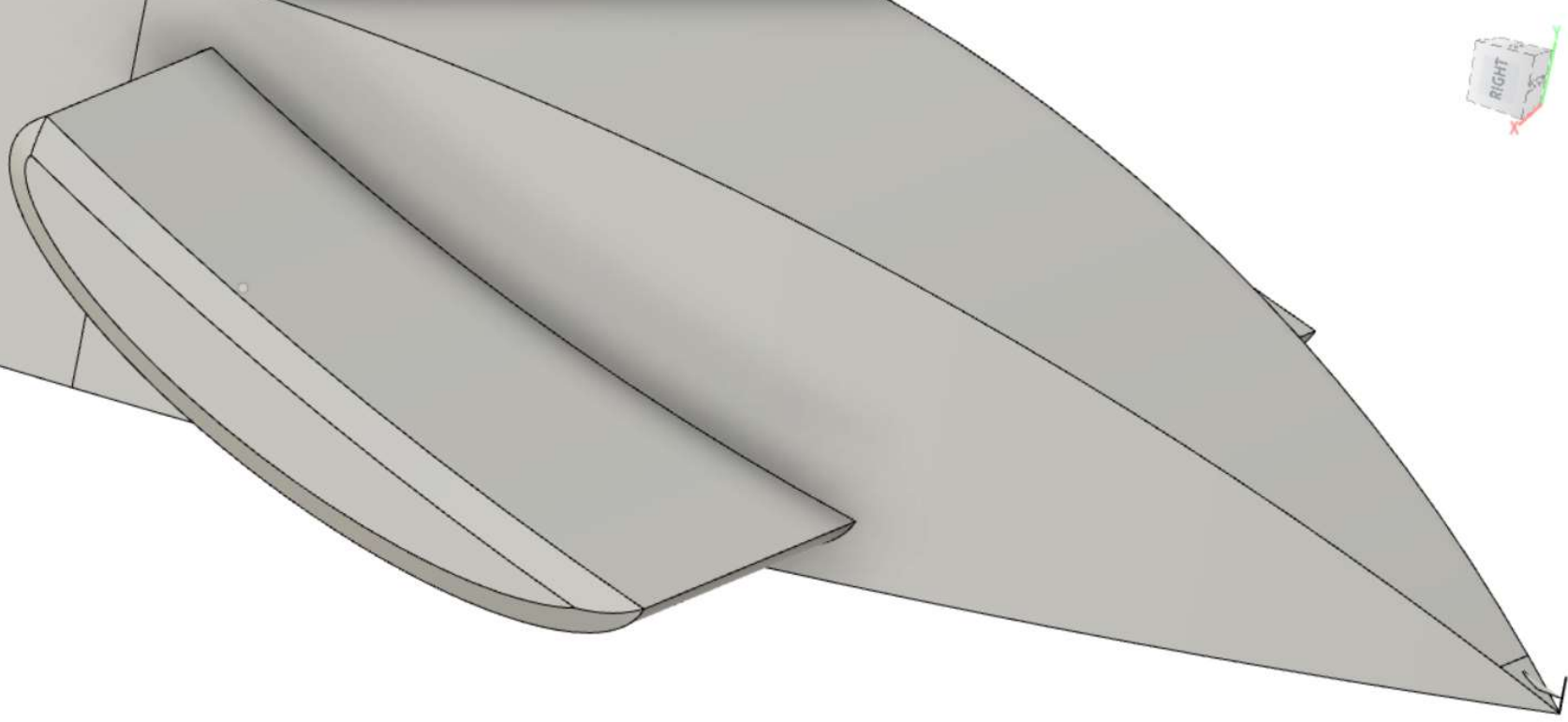
DESIGN ▾

SOLID | SURFACE | SHEET METAL | TOOLS

CREATE ▾ | MODIFY ▾ | ASSEMBLE ▾ | CONSTRUCT ▾ | INSPECT ▾ | INSERT ▾ | SELECT ▾

BROWSER

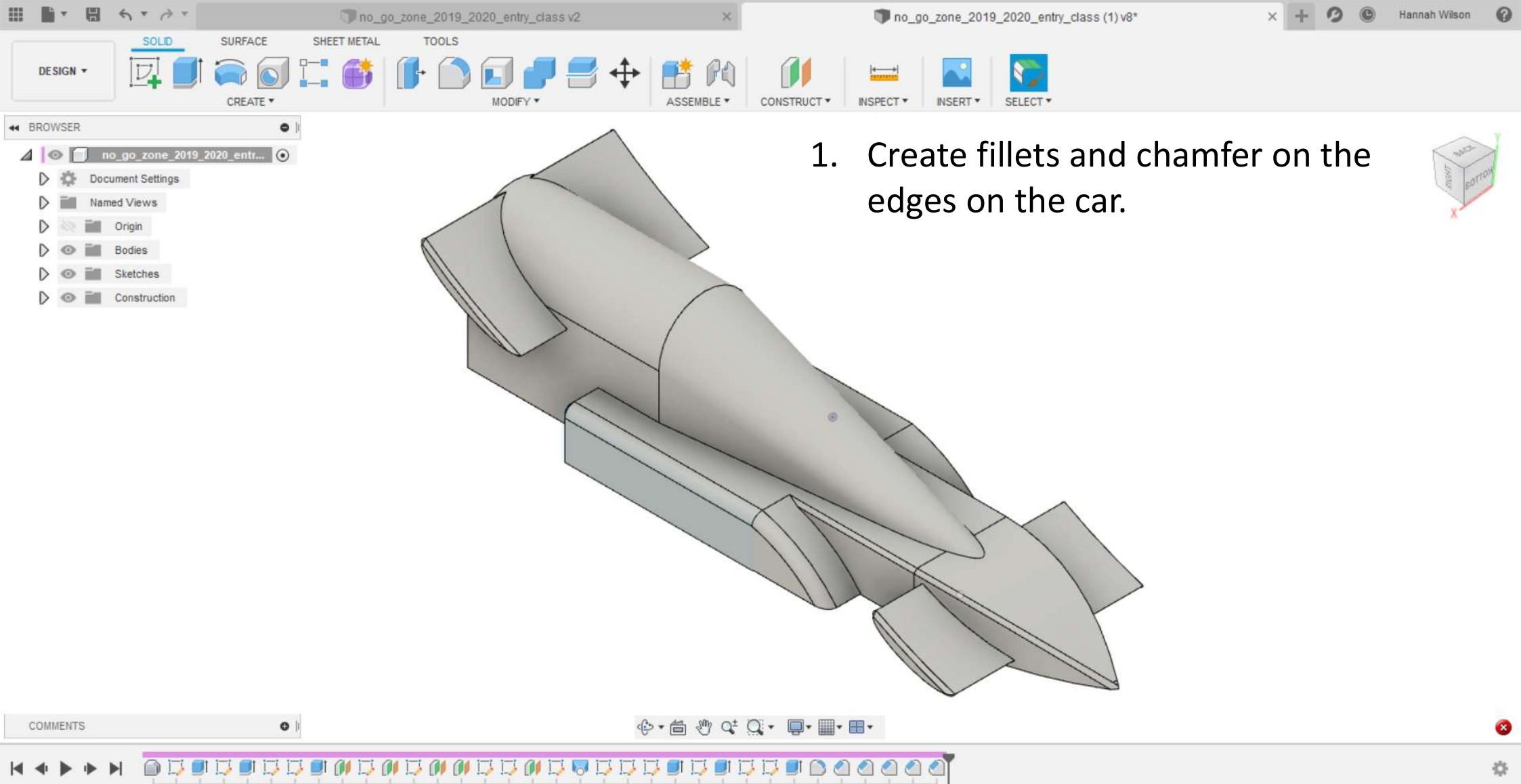
- no_go_zone_2019_2020_entr...
- Document Settings
- Named Views
- Origin
- Bodies
- Sketches
- Construction



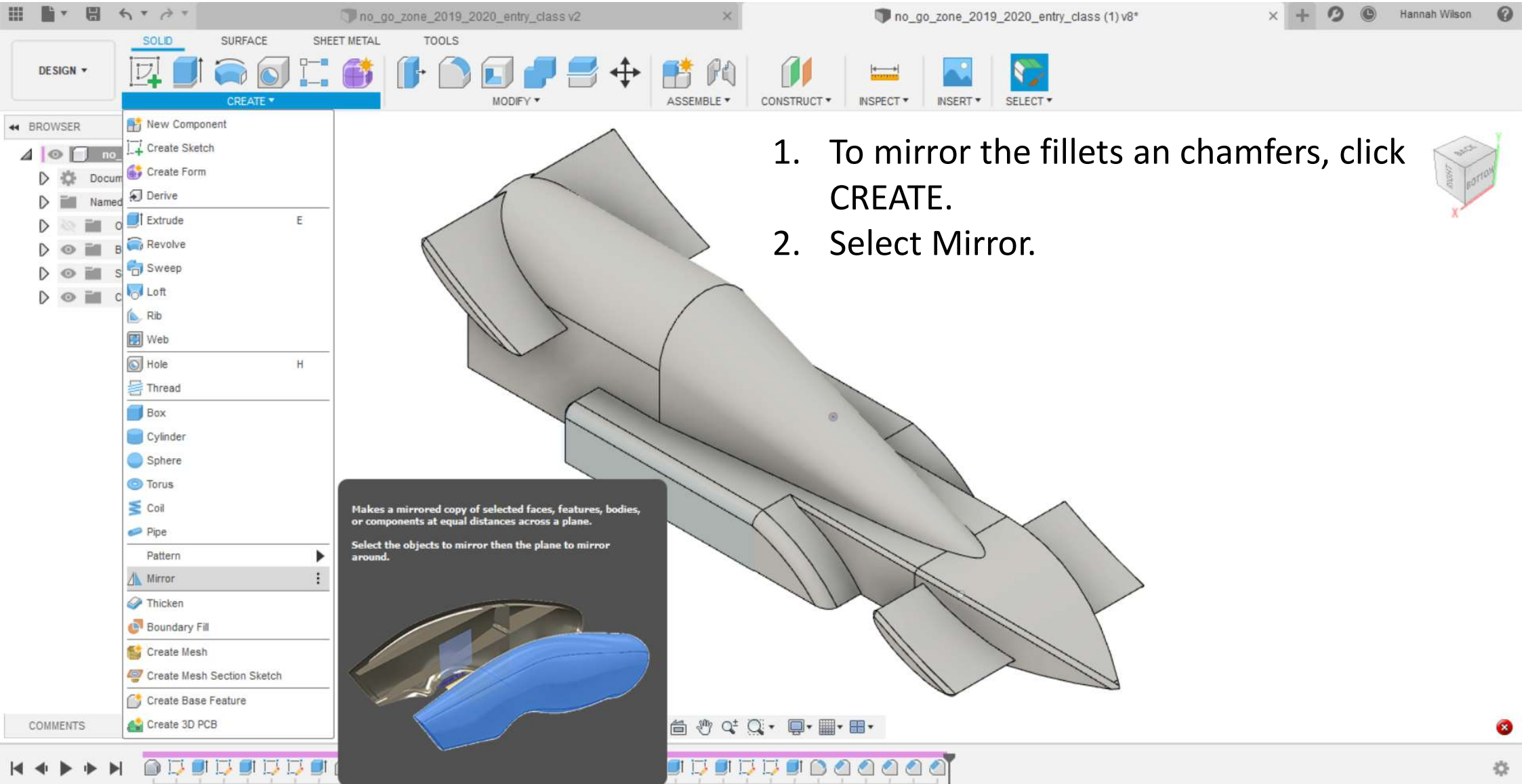
COMMENTS

Navigation and utility icons: Home, Hand, Zoom, Rotate, etc.

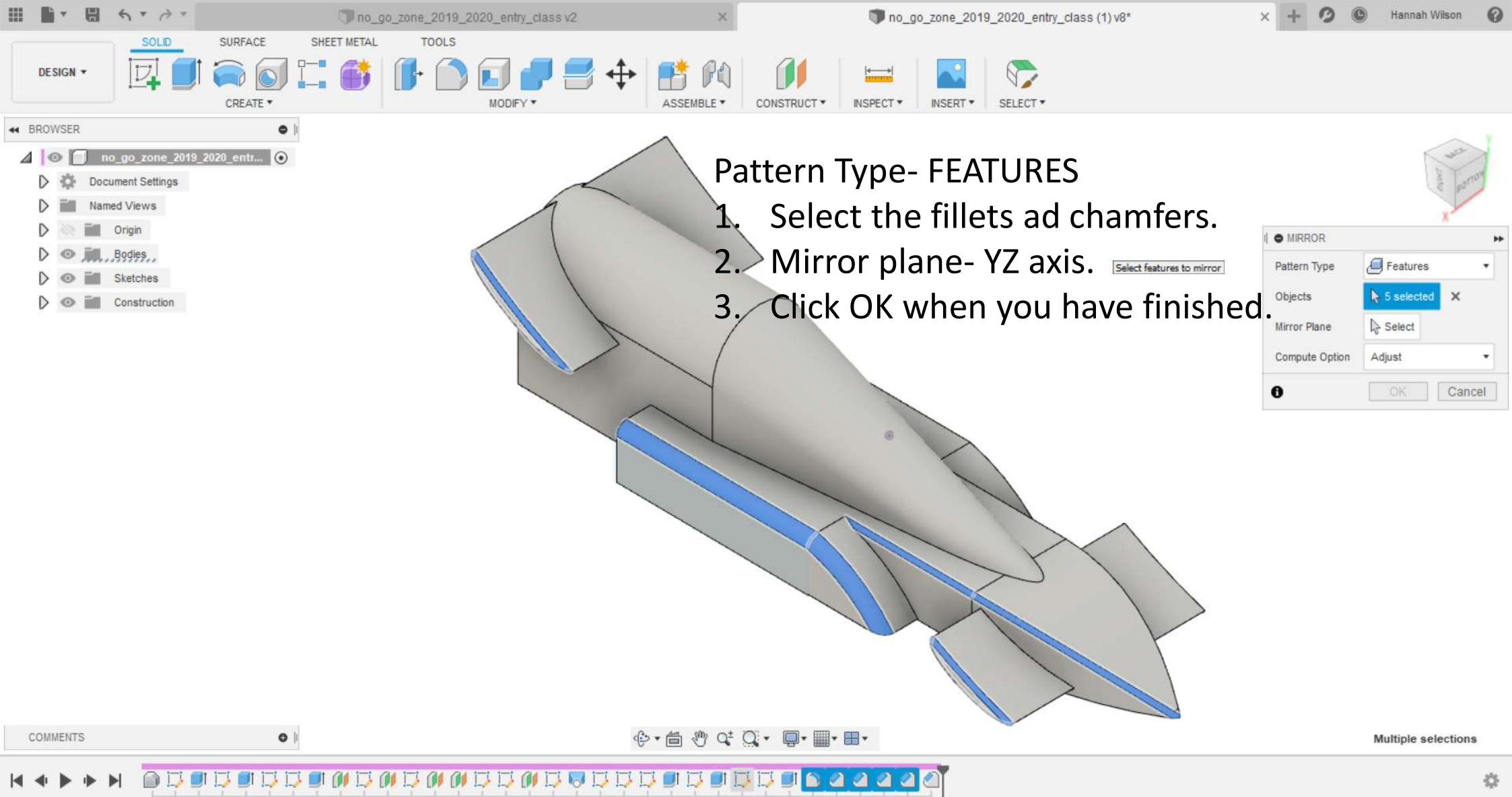
Timeline and view control icons: Previous, Next, Home, Viewports, etc.



1. Create fillets and chamfer on the edges on the car.



1. To mirror the fillets and chamfers, click CREATE.
2. Select Mirror.



Pattern Type- FEATURES

1. Select the fillets and chamfers.
2. Mirror plane- YZ axis.
3. Click OK when you have finished.

DESIGN

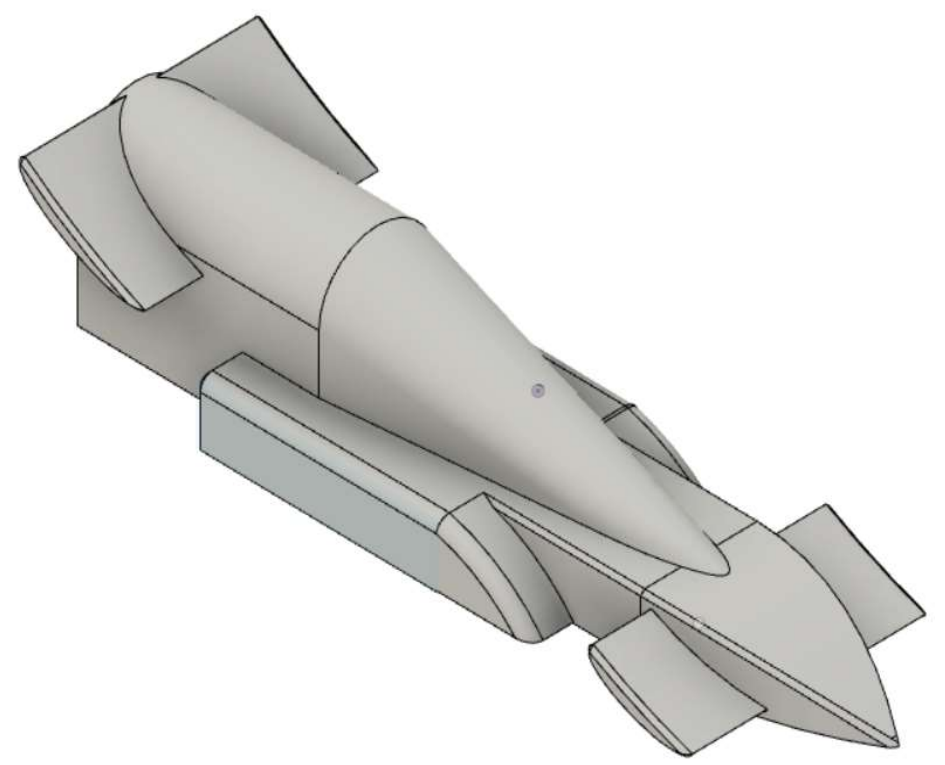
SOLID SURFACE SHEET METAL TOOLS

CREATE MODIFY ASSEMBLE CONSTRUCT INSPECT INSERT SELECT

BROWSER

no_go_zone_2019_2020_entr...

- Document Settings
- Named Views
- Origin
- Bodies
- Sketches
- Construction



COMMENTS

Navigation icons: pan, rotate, zoom, etc.

Timeline and view control icons.