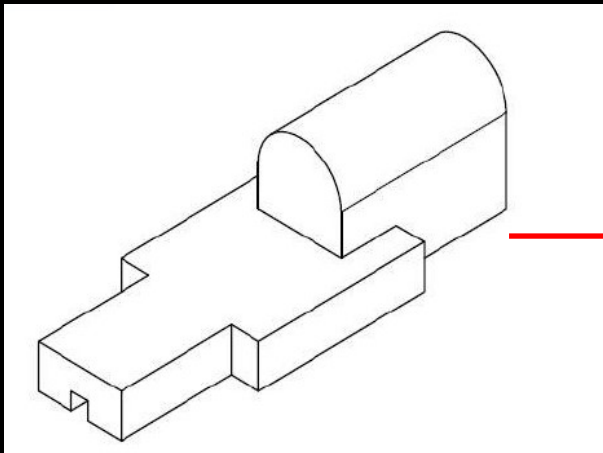




## New Thinking, New Possibilities #F1Friday



Can you go from this  
No-Go zone? →

→ To drawing this F1 in  
Schools car?

For the first activity, EESW would like you to hand draw your car design. You may be wondering how to do this?

<https://www.youtube.com/watch?v=lirmjCgNdGM>

- Using the YouTube link to 'The Drawing Tool Co', you are going to draw a F1 in Schools racing car.
  - Print the No-Go zone called 'No-Go Zone Drawing' from #F1Friday folder.
  - Use the print out as your base to your car.
    - All you need is a piece of paper, pencils and pens.
- Be creative– we want to see your drawings. Please take photos and use #F1Friday and @eeswstemcymru when uploading your designs!

